

Winston Desk Corner is ideal for cubicle corners or L-shaped desks. Convert your existing desk into a standing desk in minutes – no assembly required!



WNST-DESKCR-36



Retractable lower work surface.



Single handle design for easy transitions from sitting to standing.



Winston Desk Corner is ideal for cubicle corners or L-shaped desks.

FEATURES

- Lower work surface retracts to allow for a comfortable position.
- Single-handle design puts effortless operation at your fingertips.
- Gas-assisted lifting mechanism allows you to raise and lower easily in just a few seconds.
- Extremely solid base ensures a sturdy and stable work surface at any height.
- Ships fully assembled, no installation required.
- Upper desk surface has a .5" bolt-thru hole for mounting an optional monitor arm.

AVAILABLE MODELS

36"

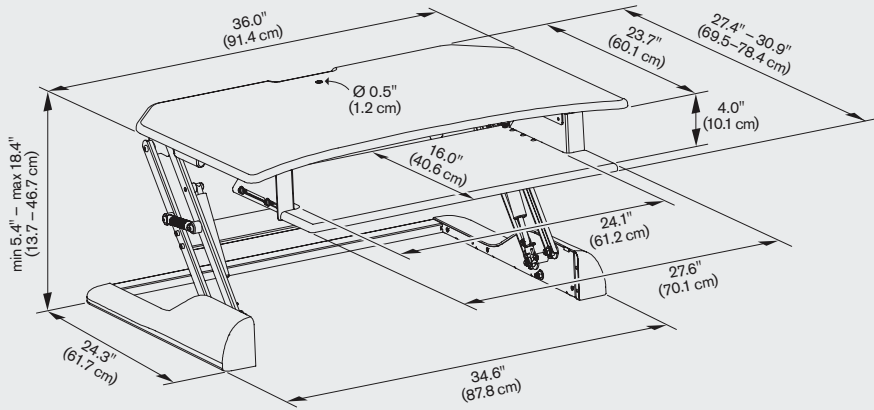
WNST-DESKCR-36 (corner desk) Supports up to 35 lbs (15.8 kg)

FINISHES

BLACK | color code: BLK

CAPABILITIES

WINSTON DESK® CORNER - 36"



Base dimensions: 34.6" wide x 24.3" deep

Desktop dimensions: 36.0" wide x 27.4" - 30.9" deep

Desktop height adjustment range: 5.4" to 18.4"

Desktop thickness: 0.6" (minimum 1.5" off desk)

Weight capacity: Up to 35 lbs