



WINSTON DESK® 2

The Winston Desk is an ultra easy sit-stand solution. Designed with an upper display surface and lower, retractable keyboard and mouse desk. Winston Desk features a spring-assisted lift mechanism that lets you switch easily between sitting and standing in just a few seconds. It also holds up to 35 lbs, while staying steady and solid at any height. Winston Desk ships fully assembled and ready-to-use – just put it right on top of your current desk, and you're ready to work.



WNST2-DESK-36



Retractable lower work surface.



Expansive upper display surface.



Dual handle design for easy transitions from sitting to standing.

FEATURES

- Lower work surface retracts to allow for a comfortable position.
- Dual-handle design puts effortless operation at your fingertips.
- Spring-assisted lifting mechanism allows you to raise and lower easily in just a few seconds.
- Extremely solid base ensures a sturdy and stable work surface at any height.
- Ships fully assembled, no installation required.
- Upper desk surface has a .5" bolt-thru hole for mounting an optional monitor arm.

AVAILABLE MODELS

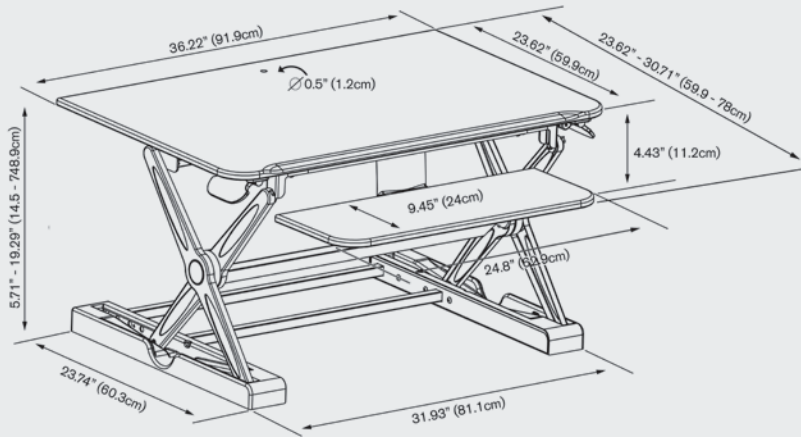
| | | |
|----------------------|------------|---------------------------------|
| WNST2-DESK-36 | 36" | Supports up to 35 lbs (15.8 kg) |
|----------------------|------------|---------------------------------|

FINISHES

BLACK | color code: **BLK**

CAPABILITIES

WINSTON DESK® 2 - 36"



Base dimensions: 31.93" wide x 23.74" deep

Desktop dimensions: 36.22" wide x 23.62" - 30.71" deep

Desktop height adjustment range: 5.71" to 19.29"

Weight capacity: Up to 35 lbs