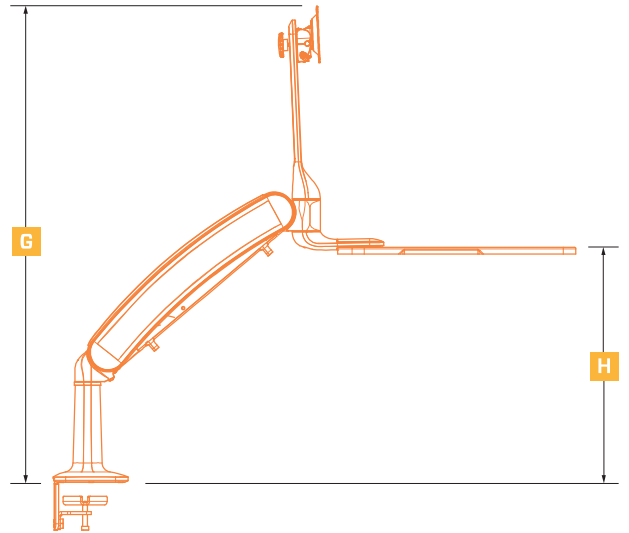
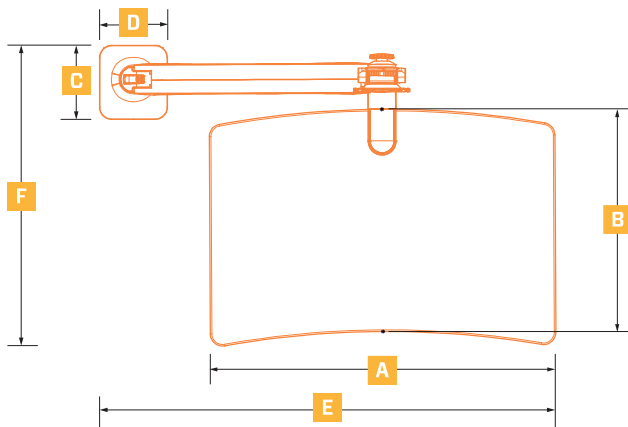


MAESTRO



	SPEC DESCRIPTION	MEASUREMENT
A	Tray Width	28.00"
B	Tray Depth	18.00"
C	Mount Depth	6.00"
D	Mount Width	5.50"
E	Total Width in Stowed Position	36.972"
F	Total Depth in Stowed Position	45.563"
G	VESA Mount Height (range)*	11.574" - 38.160"
H	Keyboard Tray Height (range)**	0.400" - 18.833"
	Monitor Height Adjustment	8.30"

	SPEC DESCRIPTION	MEASUREMENT
	Screen Rotation	90°
	Monitor Tower Swivel	90° left
	Monitor Tower Swivel	90° right
	Monitor Tilt	45° away
	Monitor Tilt	5° toward
	Weight Capacity - Single	6,5 - 24,5 lbs.
	Weight Capacity - Dual	1,5 - 19,5 lbs.
	Weight - Single	29 lbs.
	Weight - Dual	33 lbs.

*VESA MOUNT HEIGHT IS MEASURED FROM TOP OF WORK SURFACE TO TOP OF VESA MOUNT (INCLUDING 8.3" MONITOR HEIGHT RANGE).

**KEYBOARD HEIGHT IS MEASURED FROM TOP OF WORK SURFACE TO TOP OF KEYBOARD TRAY.