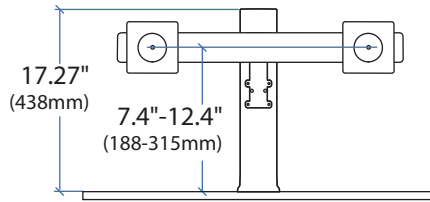
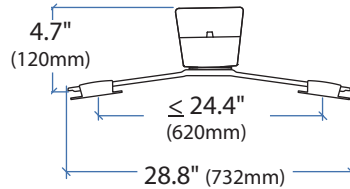


WorkFit Dual Monitor Kit

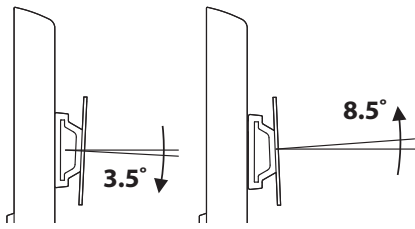
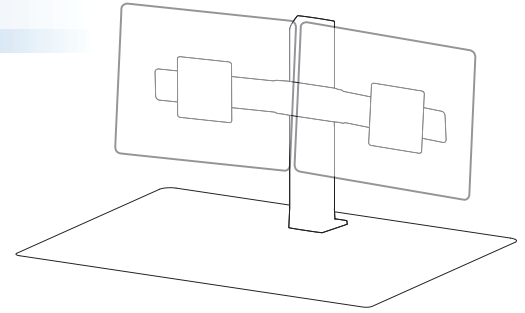
Dimensions



Front View

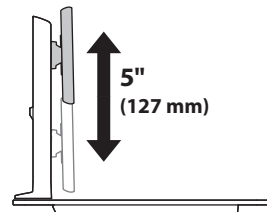


Top View

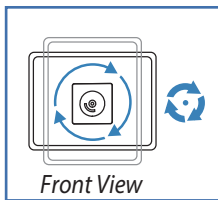


Side View

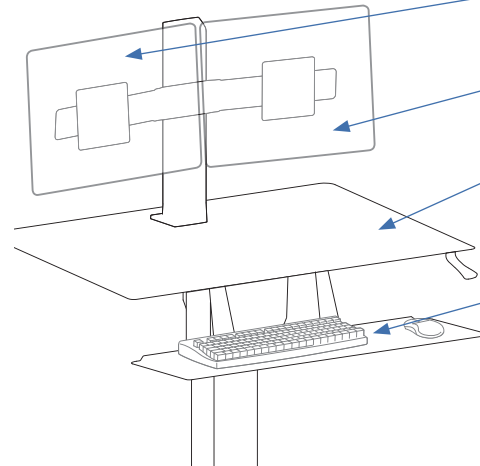
Range of Motion



Side View



WorkFit-PD



A LB Kg 6 - 14 lbs (2.72-6.35 kg)

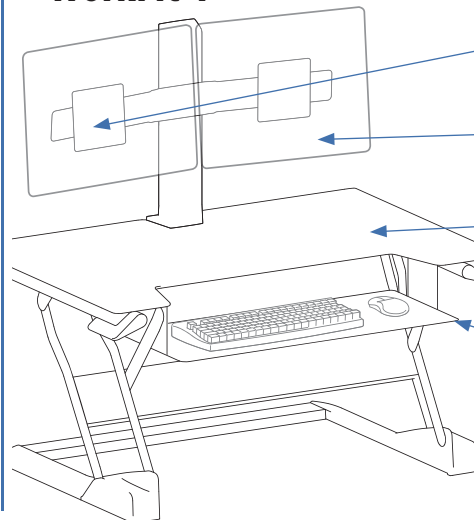
B LB Kg 6 - 14 lbs (2.72-6.35 kg)

C LB Kg ≤ 5 lbs (2.25 kg)

D LB Kg ≤ 2 lbs (0.9 kg)

A+B+C+D ≤ 31 lbs (14 kg)

WorkFit-T



A LB Kg 6 - 14 lbs (2.72-6.35 kg)

B LB Kg 6 - 14 lbs (2.72-6.35 kg)

C LB Kg ≤ 5 lbs (2.25 kg)

D LB Kg ≤ 5 lbs (2.25 kg)

A+B+C+D ≤ 25.3 lbs (11.48 kg)

© 2014 Ergotron, Inc. rev. 10/06/2014 DIM-WFRiserDual Content is subject to change without notification

Americas Sales and Corporate Headquarters

St. Paul, MN USA
(800) 888-8458
+1-651-681-7600
www.ergotron.com
sales@ergotron.com

EMEA Sales

Amersfoort, The Netherlands
+31 33 45 45 600
www.ergotron.com
info.eu@ergotron.com

APAC Sale

Tokyo, Japan
www.ergotron.com
apaccustomerservice@ergotron.com

Worldwide OEM Sales

www.ergotron.com
info.oem@ergotron.com

