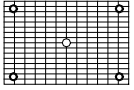


Adjustable WorkBENCH™

ASSEMBLY INSTRUCTIONS

AW3624 and AWT3624

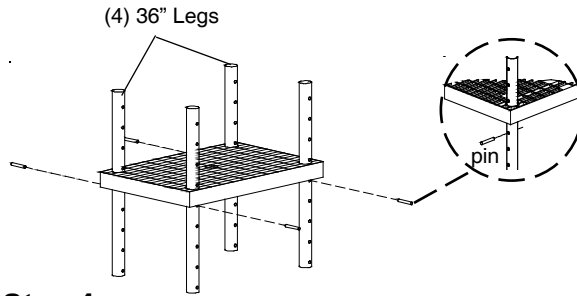
COMPONENTS:



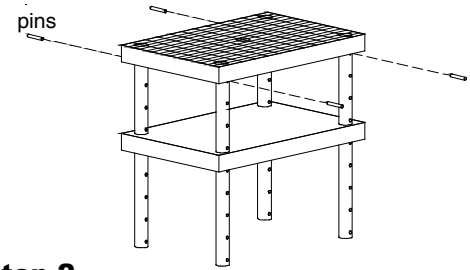
Panels: (2) 24"x36"
(4 drilled sockets)

Legs: (4) 36"
(drilled for pins)

Pins: (8)



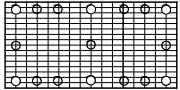
Step 1



Step 2

AW4824 and AWT4824

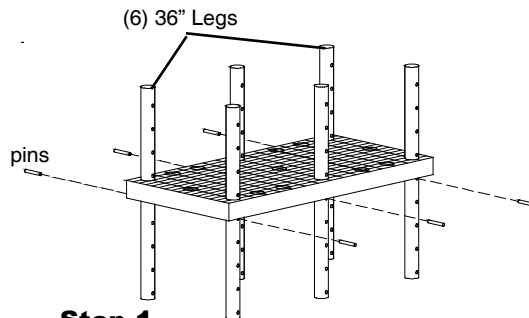
COMPONENTS:



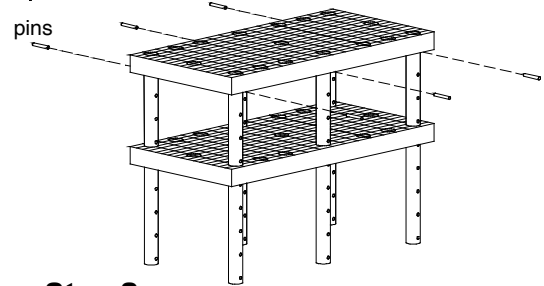
Panels: (2) 2'x4'
(6 drilled sockets)

Legs: (6) 36"
(drilled for pins)

Pins: (12)



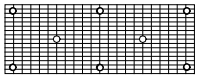
Step 1



Step 2

AW6624 and AWT6624

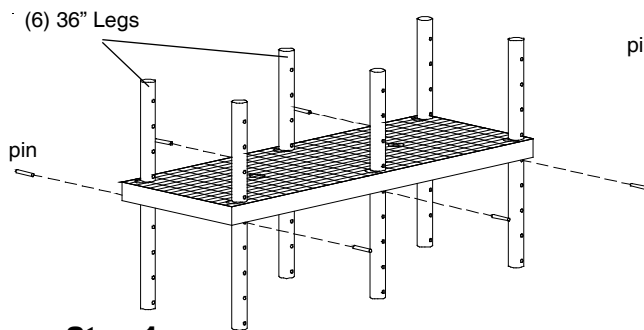
COMPONENTS:



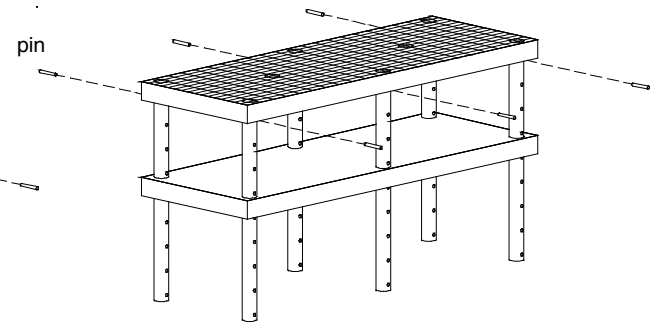
Panels: (2) 24"x66"
(6 drilled sockets)

Legs: (6) 36"
(drilled for pins)

Pins: (12)



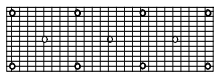
Step 1



Step 2

AW9624 and AWT9624

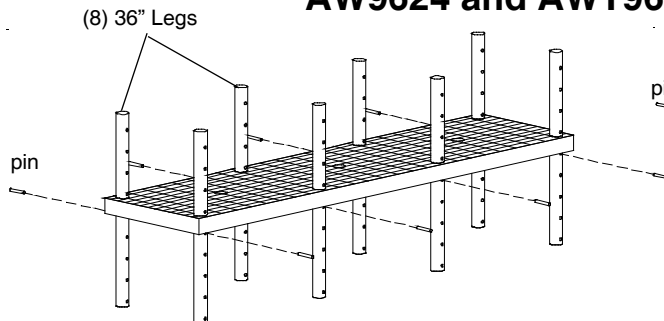
COMPONENTS:



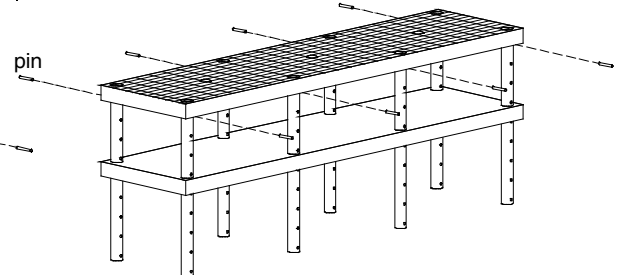
Panels: (2) 24"x96"
(8 drilled sockets)

Legs: (8) 36"
(drilled for pins)

Pins: (16)



Step 1



Step 2

Step 1

Insert pins into pin holes where desired and slide 1st level panel down 36" legs until it rests on pins.

Step 2

Insert pins into pin holes where desired and slide 2nd level panel down 36" legs until it rests on pins.